

## Dura Faucet Limited Lifetime Warranty

Dura Faucet products have been manufactured under the highest standards of quality and workmanship. Dura Faucet warrants to the original purchaser for as long as the original purchaser owns their RV that this product will be leak- and drip-free during normal use, and that all parts and finishes of this product will be free from defects in material and manufacturing workmanship. Plated metal and plated plastic finishes are warranted for (1) year.

If the product should develop a leak or drip during the warranty period, Dura Faucet will, free of charge, provide the parts necessary to put the product back into good working condition by you. They may also replace any part or finish that proves defective in material and manufacturing workmanship, under normal installation, use and service, free of charge. Proof of purchase (original sales receipt) from the original purchaser must accompany all warranty claims. Defects or damages caused by the use of other products or parts is not covered by this warranty. If repair or replacement is not practical, Dura Faucet may elect to refund the purchase price in exchange for the return of the product.

This warranty covers replacement of all defective parts and finishes. However, damage due to product abuse, product misuse, installation error, or the use of cleaners containing alcohol, abrasives, or other solvents, whether performed by a contractor, service company, or yourself, will void this warranty. Dura Faucet will not be responsible for labor charges and/or damages incurred in installation, repair or replacement, nor any indirect, incidental or consequential damages, losses, or injury costs of any nature relating to this product. Except as provided by law, this warranty is in lieu of and excludes all other warranties, conditions and guarantees, whether expressed or implied, statutory or otherwise, including without restriction those of merchantability or of fitness for use.

Dura Faucet will advise you on how to proceed in making warranty claims. To begin a warranty claim, write to Dura Faucet explaining the defect and include proof of purchase and your name, address and telephone number. Email is [warranty@durafaucet.com](mailto:warranty@durafaucet.com).

\* Never use cleaners containing abrasive cleansers, ammonia, bleach, acids, waxes, alcohol, solvents or other products not recommended for plated metal or plastic finishes. This will void the warranty.

19215 SE 34<sup>th</sup> St. Ste. 106-382  
Camas, WA 98607



### DF-SA170 – RV Exterior Shower Box Kit Faucet/Hose/Wand



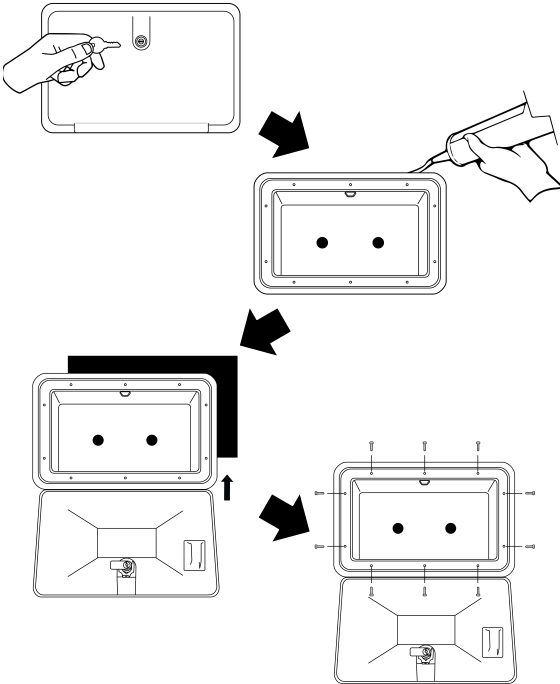
## INSTALLATION OF THE FAUCET

### 1 New Shower Box Preparation

Completely shut off the water supply to the shower box. Remove the old shower box by disconnecting it from the water supply and unscrewing it from the RV. If installing this box for the first time on an RV an 11" (W) x 6" (H) hole will need to be cut out of RV exterior to make space.

### 2 Install Shower Box

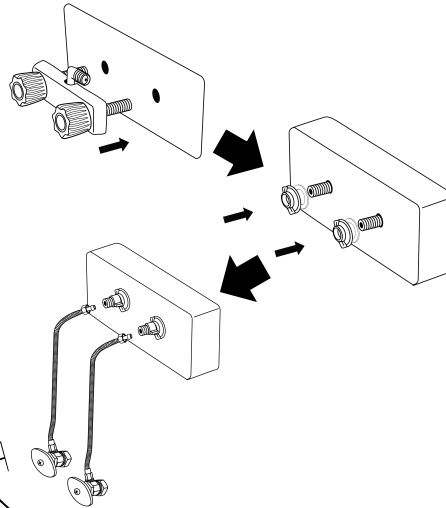
Open the box's door with the provided key, and mount securely with provided screws. When mounting, you may use sealants around the edge of the shower box.



### 3 Install Shower Faucet

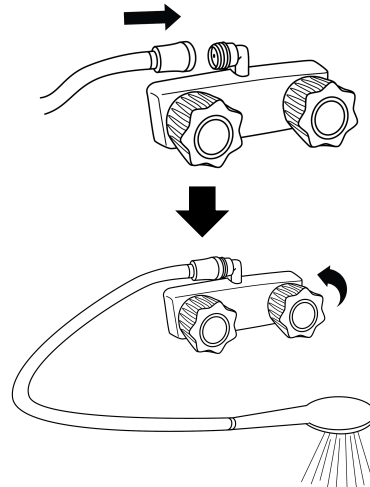
After installing the Box, insert the faucet inlet tubes through the back of the box. Once inserted attach the mounting nuts to

secure the faucet. Then, Connect the water supply lines from the RV to the inlet tubes of the shower faucet. As you lace the shower faucet, hot water should be on your left, and cold water on your right. Note: Hand tighten the nuts over the washer and then tighten ¼ turn with a wrench. Overtightening the nut can cause leaking.



### 4 Turn on Water Supply

The last step is to turn the water supply on and allow both the hot and cold water to run for 30 to 60 seconds. While the water is running, check for leaks around and inside the shower box. Your new Dura Faucet is ready to use.



## MAINTENANCE AND CLEANING

Cleaning Tips: The finish on your product is designed to retain its beautiful sheen for years. To maintain the original look of the finish, a little care and caution should be used. We recommend the use of mild soap and water to clean the product.

THE USE OF ABRASIVE CLEANERS MAY SCRATCH THE FINISH OR CAUSE OTHER DAMAGE.

## RECOMMENDED TOOLS AND MATERIALS

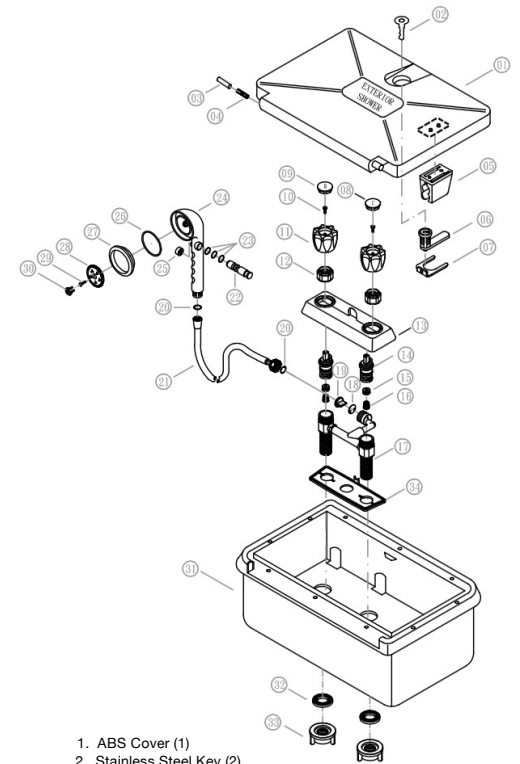
- ◆ Adjustable Wrench
- ◆ Plumbers Tape (Thread Seal Tape)
- ◆ Phillips Screw Driver

## BEFORE YOU BEGIN

There are a variety of things to do before installing any new plumbing system into your home or residence. Before you begin work make sure you:

- ◆ Shut off the main water supply
- ◆ Cover your drain to prevent loss of parts
- ◆ Observed any local plumbing codes
- ◆ Inspect fixture for damage - Replace as necessary

\* Dura Faucet reserves the right to make any revisions in the design of products without notice.



1. ABS Cover (1)
2. Stainless Steel Key (2)
3. ABS Pin (1)
4. Stainless Steel Spring (1)
5. ABS Socket (1)
6. Stainless Steel Luck Head (1)
7. Stainless Steel Regulator Slice (1)
8. Acrylic/Al C-Button (1)
9. Acrylic/Al H-Button (1)
10. Stainless Steel Handle Screw (2)
11. Acrylic Handle (2)
12. ABS Nut (2)
13. ABS Escutcheon (1)
14. POM/Rubber/Stainless Steel Cartridge-Hot
15. Rubber Washer (2)
16. Stainless Steel Spring (2)
17. POM/Rubber Body (1)
18. Rubber Skin (1)
19. POM Cover (1)
20. Rubber O-Ring (1)
21. Rubber/ABS/Stainless Steel/POM Brass/PVC Spray/Gun Group (1)
22. POM Axle (1)
23. Rubber O-Ring (1)
24. ABS Handle (1)
25. POM Cover (1)
26. Rubber O-Ring (1)
27. ABS Filter Base (1)
28. ABS Flow Filter (1)
29. Stainless Steel Screw (1)
30. ABS Plug (1)
31. ABS Body (1)
32. Rubber Washer (2)
33. ABS Mounting Nut (2)
34. PP Bottom (1)